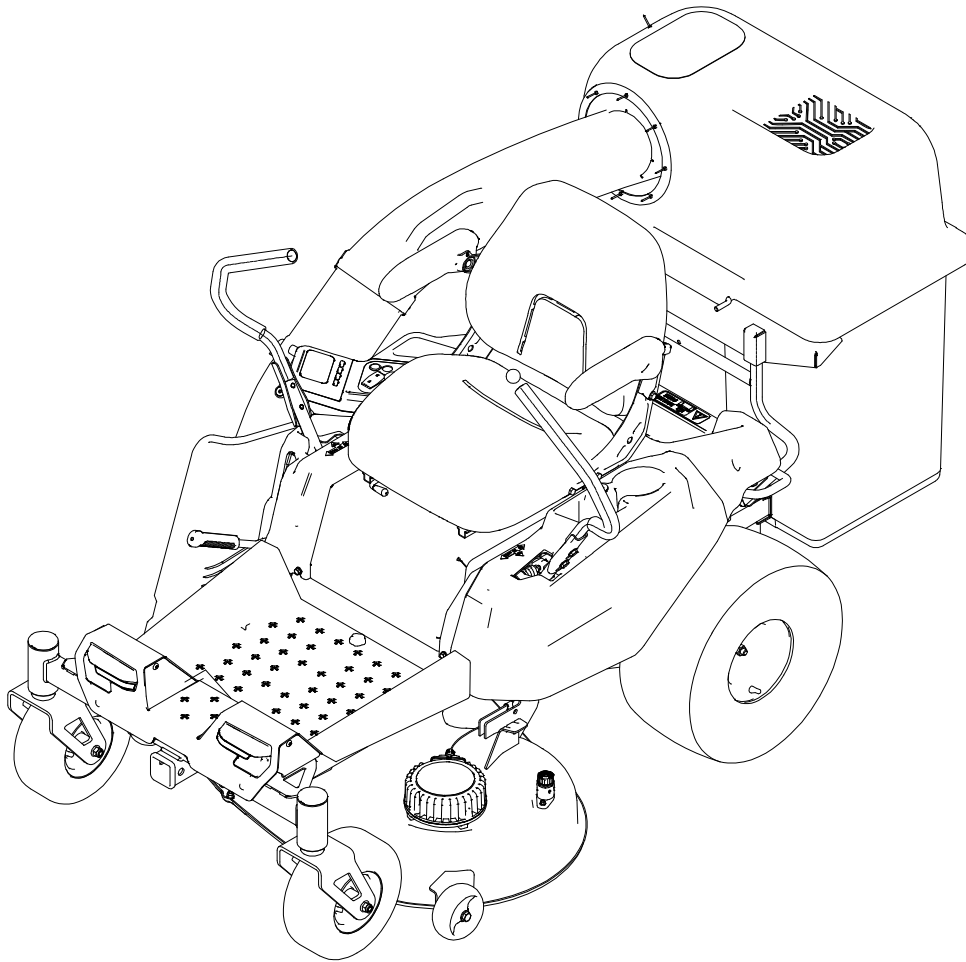


# greenworks<sup>®</sup>

## 82V 42" Ride on Zero Turn Mower Model No. GC82ZT107



Parts Manual with torque specifications

---

 Read all safety rules and instructions carefully before operating this tool.

# CONTENTS

## LABELS

LABELS-WARNING/SAFETY .....	15
LABELS-BRAND/MODEL .....	16
LABELS-FUNCTION .....	17

## BODY AND STRUCTURES SYSTEM

FRAME ASSEMBLY .....	21
GUARDS AND PROTECTIVE PARTS .....	28

## ELECTRICAL SYSTEM

BATTERY AND CHARGER PARTS.....	31
CONTROLLERS AND BOX PARTS .....	32
WIRE HARNESS ASSEMBLY .....	33
SWITCHES & METER PARTS .....	35
LIGHTS PARTS .....	39

## DECK SYSTEM

DECK, MOTORS, BLADES PARTS .....	41
DECK ASSEMBLY 42" .....	42
DISCHARGE CHUTE ASSEMBLY .....	43
DECKLIFT ASSEMBLY.....	45

## DRIVE SYSTEM

WHEELS ASSEMBLY.....	51
DRIVE MOTOR AND TRANSMISSION PARTS .....	55

## OPERATOR SYSTEM

SEAT.....	61
CONTROL ARM ASSEMBLY.....	63
CONTROL ARM RH ASSEMBLY.....	64
CONTROL ARM LH ASSEMBLY .....	65

## ACCESSORIES

GRASS BAGGER.....	91
-------------------	----

**NOTE:** ILLUSTRATIONS MAY OR MAY NOT REPRESENT THE ACTUAL ASSEMBLIES AND IT IS NOT RECOMMENDED TO USE THIS MANUAL AS A GUIDE TO ASSEMBLE OR DISASSEMBLE THE MOWER.

# LABELS-WARNING/SAFETY



15-01



15-02

**ГАЗОКОСИЛКА АККУМУЛЯТОРНАЯ САМОХОДНАЯ С МЕСТОМ ДЛЯ ОПЕРАТОРА И НУЛЕВЫМ РАДИУСОМ РАЗВОРОТА**

**Модель: GC82ZT107 Арт: 7404107 82V**

**Ширина деки 107 см 2400 / 3000 / 3200 об./ мин**

**⚠️ ВНИМАНИЕ:** Сервисное обслуживание должно проводиться в авторизованных сервисных центрах. Не открывайте и не пытайтесь демонтировать защитную деку во время вращения ножей. Не используйте изделие без изучения инструкции по эксплуатации.

**⚠️ ПРЕДУПРЕЖДЕНИЕ:** Используйте только с батареями обозначенными в инструкции по эксплуатации или с Greenworks Арт. 2951407, 8Ач

Изготовитель: «Чанчжоу Глоуб Ко., Лтд.» Адрес: 213000, КНР, провинция Цзянсу, округ Чанчжоу, район Чжунлоу, шоссе Тсинганг, 65.

Инструкция и схема устройства. 

   СДЕЛАНО В КИТАЕ

15-03

**⚠️ ПРЕДУПРЕЖДЕНИЕ:** Прочтите руководство по эксплуатации. Используйте защитные очки при работе. Не работайте на склонах крутизной более 15°. Не двигайтесь поперек склона. Риск опрокидывания! Косите только при движении вверх-вниз. Перед началом и во время движения задним ходом смотрите назад и вниз. Не перевозите детей и любых пассажиров, даже если ножи выключены. Не допускайте детей в зону кошения. Дети должны находиться под присмотром взрослого, который не занят управлением газонокосилкой. Опасность выброса посторонних предметов. Люди должны находиться на расстоянии не менее 30 м. Следите, чтобы руки и ноги не попали под деку. Для снижения риска поражения электрическим током или повреждения устройства, не подвергайте газонокосилку воздействию дождя, воды или чрезмерной влажности. Храните в помещении. Избегайте прямых солнечных лучей. Для снижения риска пожара, взрыва и/или ожогов, избегайте химических, не разбирайте, не деформируйте, не подвергайте воздействию огня, не жгите, не нагревайте.

15-04

**⚠️ ОПАСНО**  
Никогда не приводите газонокосилку в движение когда рычаги отключения колес находятся в положении наружу и вниз. Никогда не переводите рычаги в положение наружу и вниз, когда газонокосилка находится на склоне!

15-05

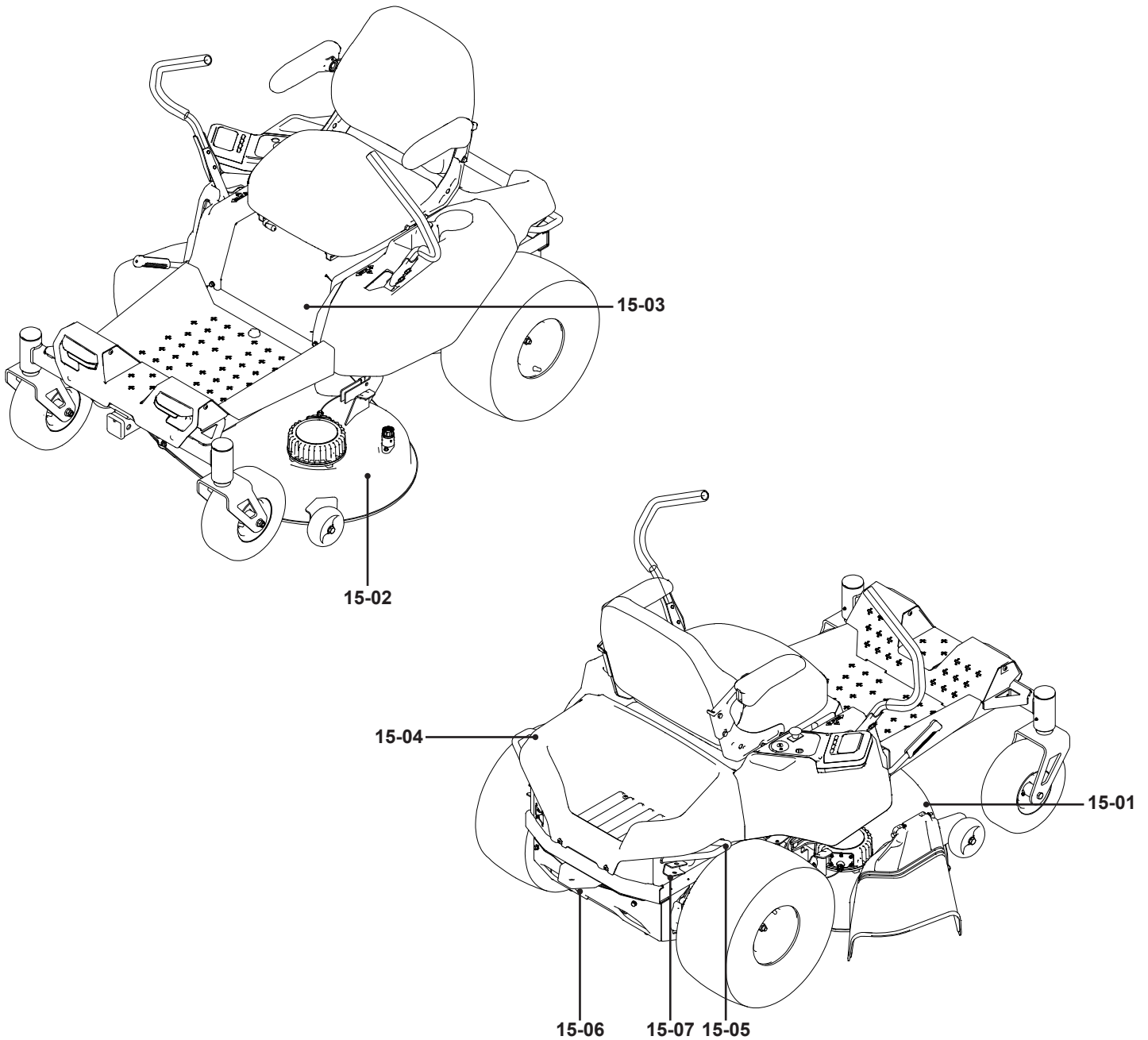


15-06



15-07

ITEM NO.	PART NO.	DESCRIPTION	QTY
15-01	R0104105-00	Warning Label, Keep H/F Away	1
15-02	R0202922-00	No Standing Label	1
15-03	R0104111-00	GC82ZT107 7404107 Data Label with Warning Icon	1
15-04	R0104107-00	Battery Pack Warning Label RU	1
15-05	R0104197-00	Bypass Lever Warning Label RU	1
15-06	R0104113-00	Weight Limit Label RU	1
15-07	R0103880-00	100dB Warning Label	1



# LABELS-BRAND/MODEL

**greenworks**

16-01

**greenworks**

16-02

**greenworks**

16-03

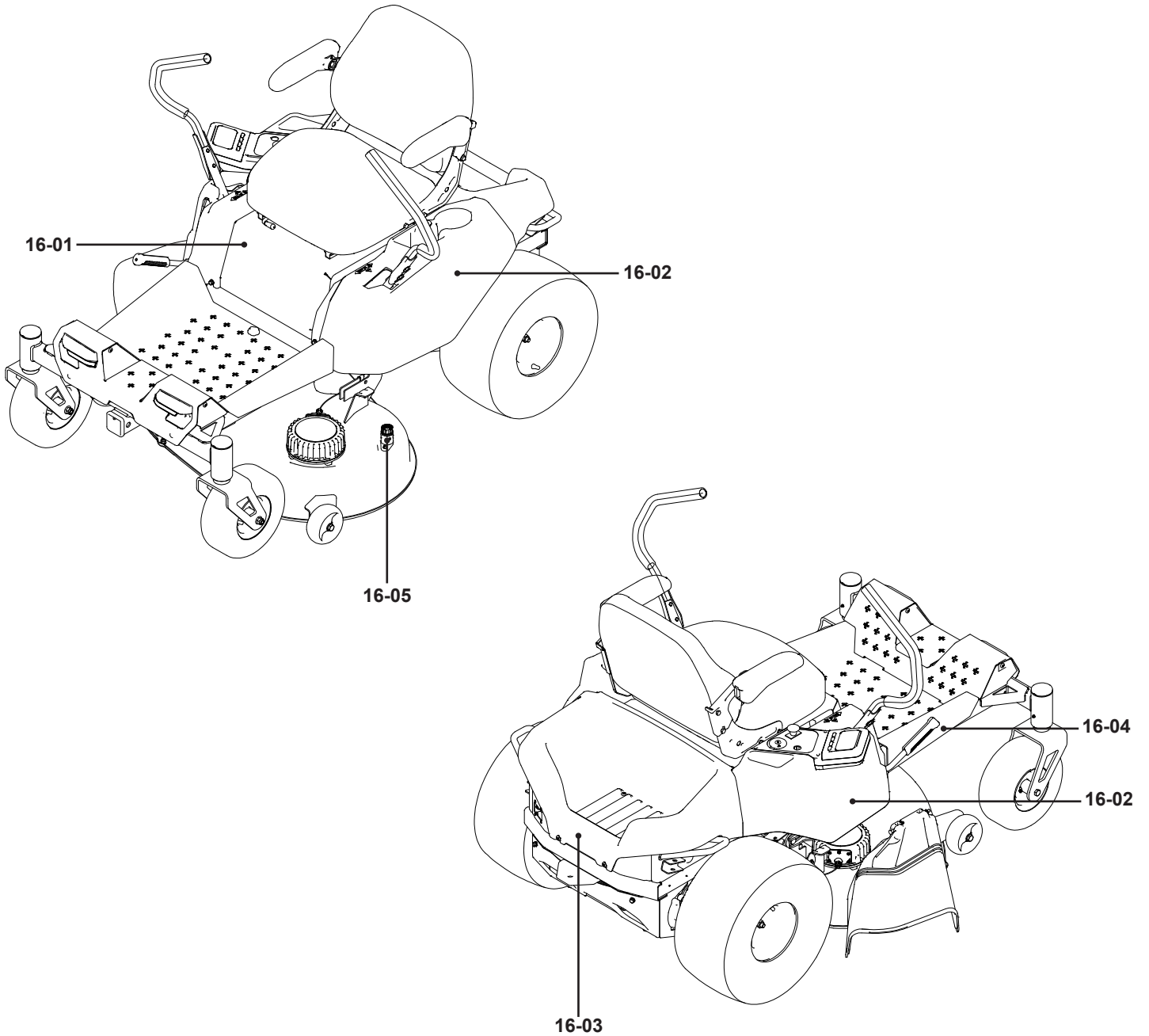
**GC82ZT107**

16-04

**107 cm**

16-05

ITEM NO.	PART NO.	DESCRIPTION	QTY
16-01	R0208470-00	Greenworks Logo Label (Front)	1
16-02	R0209223-00	Greenworks Logo Label (Side)	2
16-03	R0209224-00	Greenworks Logo Label (Rear)	1
16-04	R0208460-00	GC82ZT107 Model Label	2
16-05	R0208472-00	107cm Size Label	1



# LABELS-FUNCTION

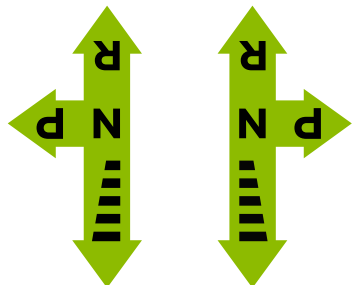
3.8cm 5.1cm 6.4cm 7.6cm 8.9cm 10.2cm 11.4cm

17-01



17-03

17-02

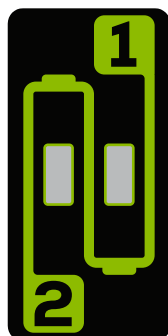


17-04A

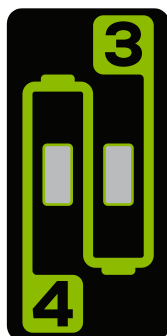
17-04B



17-05



17-06A

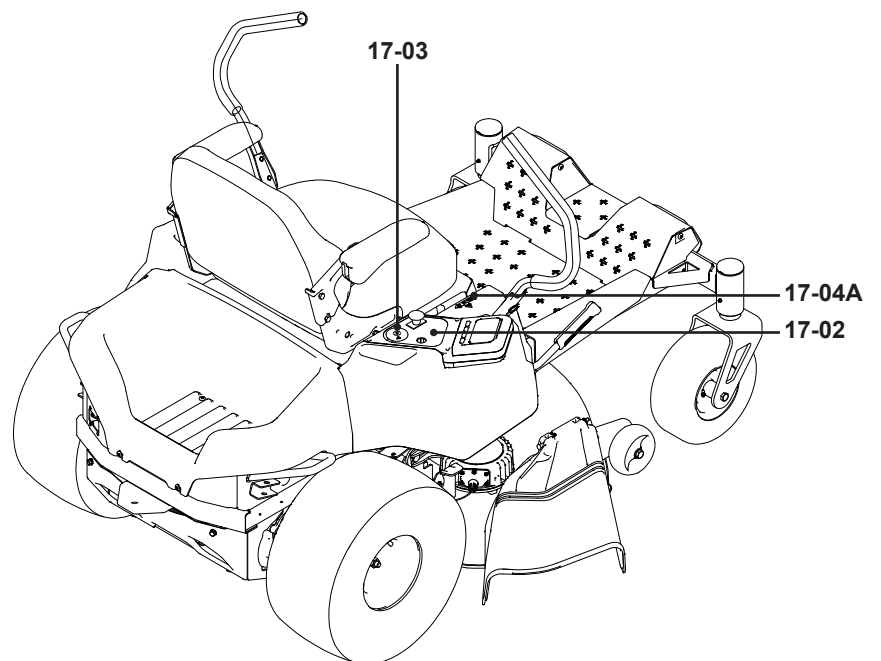
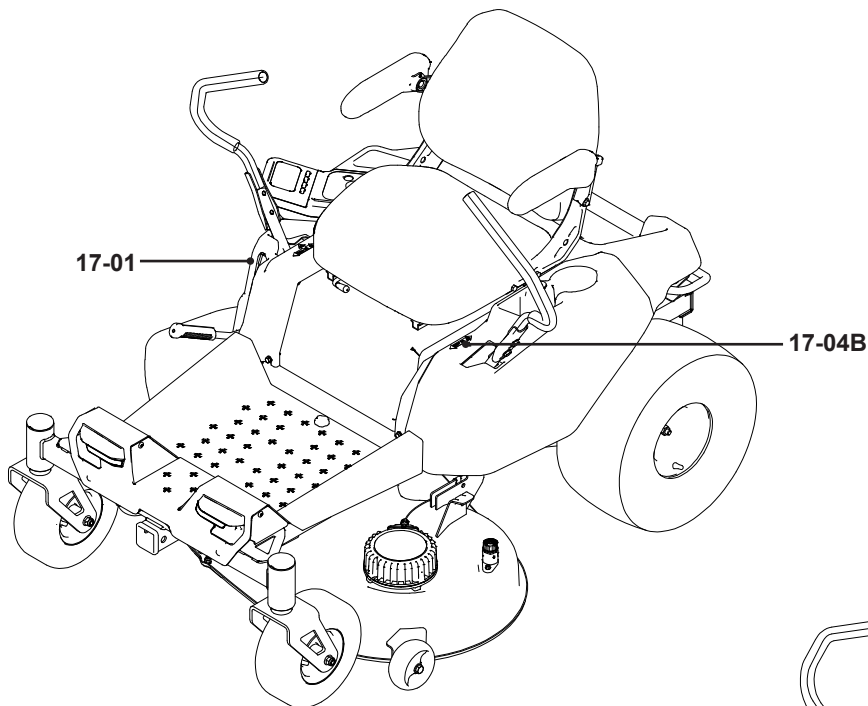


17-06B



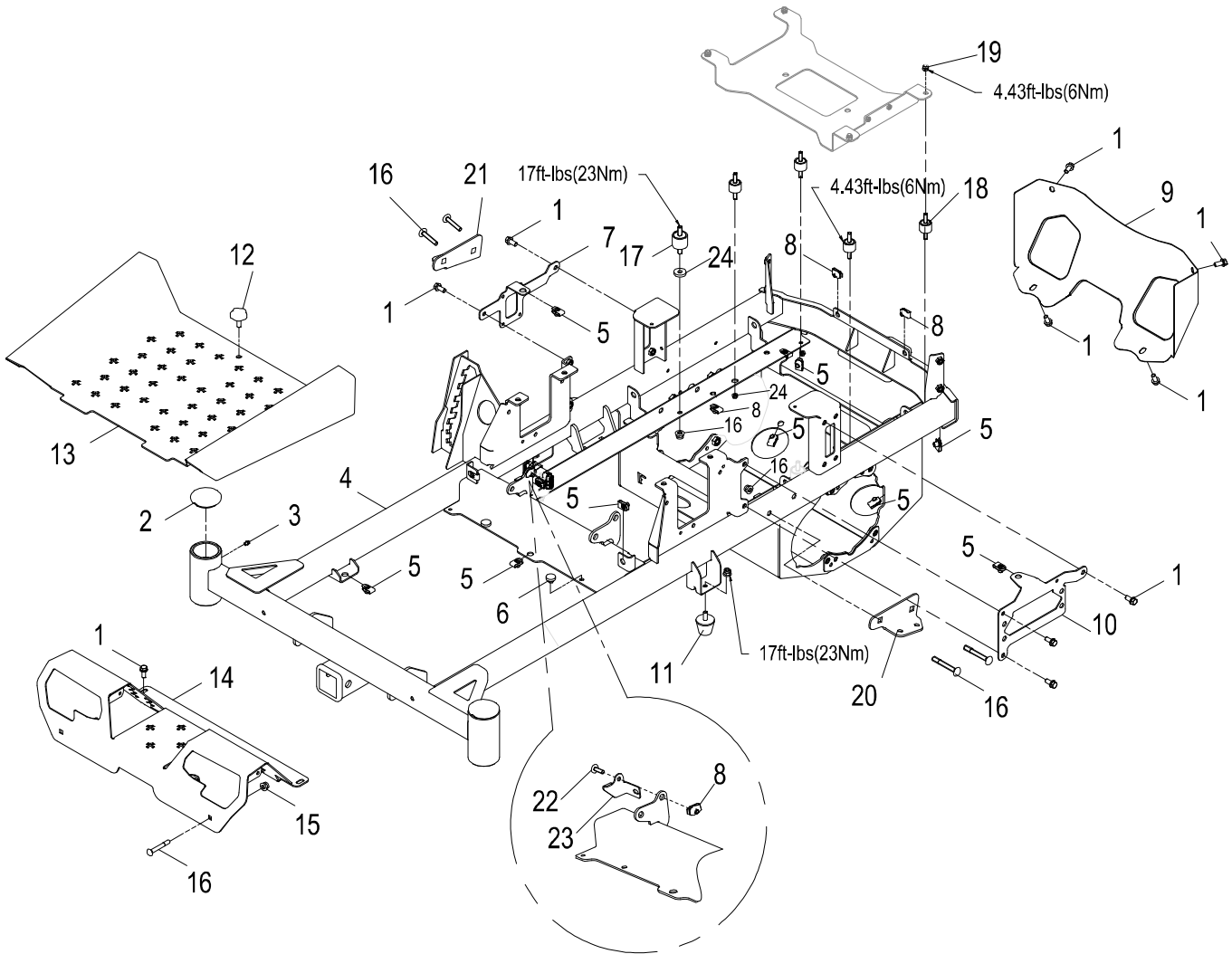
17-06C

ITEM NO.	PART NO.	DESCRIPTION	QTY
17-01	R0104101-00	Deck Height Adjustment Label	1
17-02	R0208473-00	Panel Label	1
17-03	R0104108-00	Key Label RU	1
17-04A	R0209221-00	Direction Indication Label (Right Cover)	1
17-04B	R0209222-00	Direction Indication Label (Left Cover)	1
17-05	R0104102-00	82V Label	1
17-06A	R0208462-00	Battery Light Label A	1
17-06B	R0208463-00	Battery Light Label B	1
17-06C	R0208464-00	Battery Light Label C	1





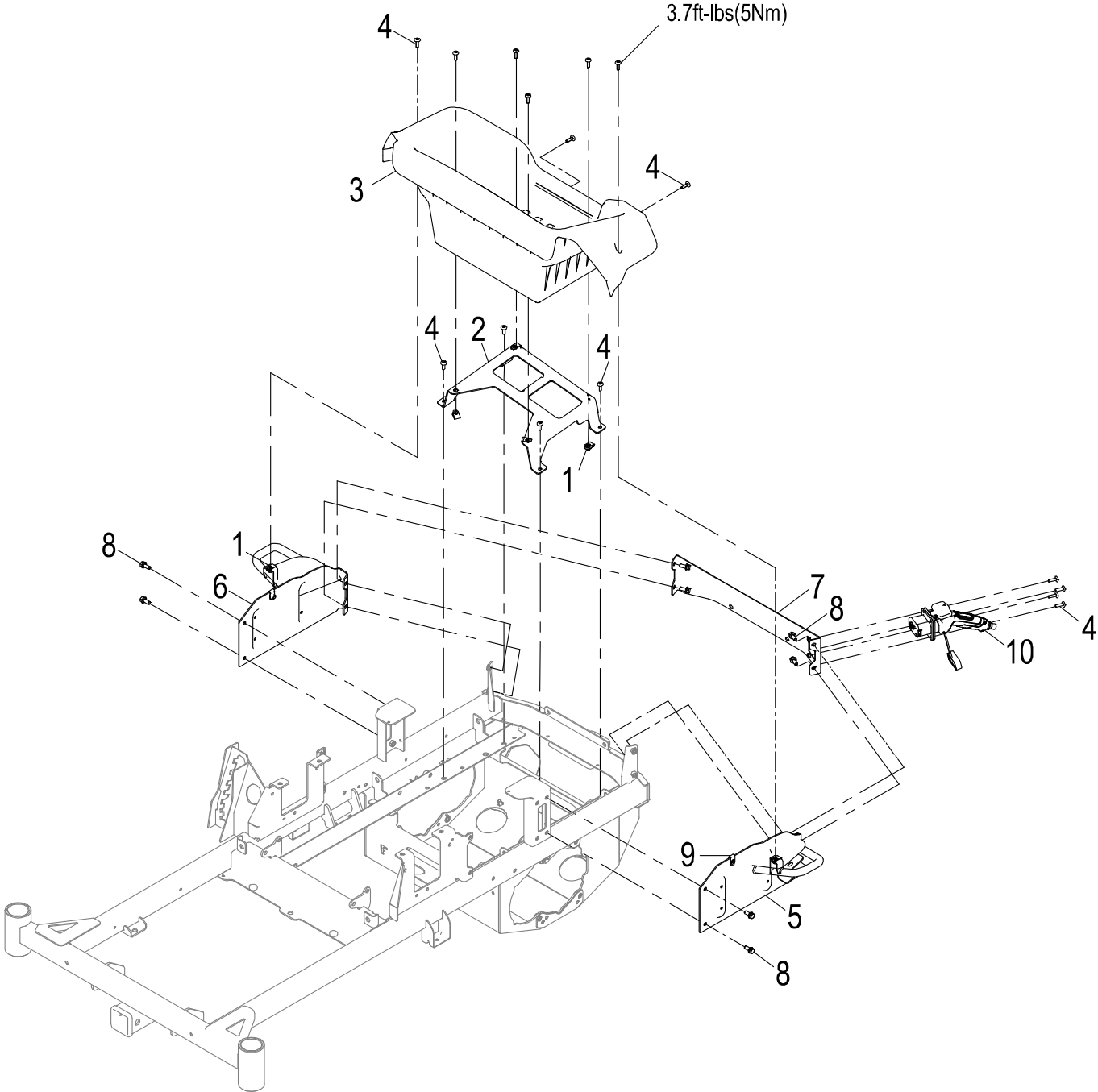
# FRAME ASSEMBLY



ITEM NO.	PART NO.	DESCRIPTION	QTY
21-01	R0200534-00	Bolt, Hex with Washers M8×20	15
21-02	R0202222-00	Dust Cap	2
21-03	R0200684-00	Grease Zerk Fitting M6	2
21-04	R0208538-00	Main Frame Weldment ■	1
21-05	R0200549-00	Nut M8	10
21-06	R0200377-00	Rubber Bumper	2
21-07	R0208542-00	Mounting Plate	1
21-08	R0201314-00	Nut, Clip-On M6	5
21-09	R0202219-00	Body Rear	1
21-10	R0208539-00	Mounting Plate	1
21-11	R0200710-00	Rubber Bumper	2
21-12	R0200376-00	Knob Bolt, M8×25	1
21-13	R0202217-00	Foot Pedal	1
21-14	R0208552-00	Front Guard Weldment	1
21-15	R0200496-00	Locking Flange Nut, M8	14
21-16	R0201547-00	Bolt M10×60	6
21-17	R0201412-00	Rubber Bumper	4
21-18	R0202578-00	Insulation Pad	4
21-19	R0200518-00	Locking Nut, M6	8
21-20	R0208540-00	Air Cap Lever Lug	1
21-21	R0208541-00	Air Cap Lever Lug	1
21-22	R0201376-00	Screw, Torx T30 M6×20	1
21-23	R0203301-00	Plug Fixed Plate	1
21-24	R0203158-00	Stiffener	4

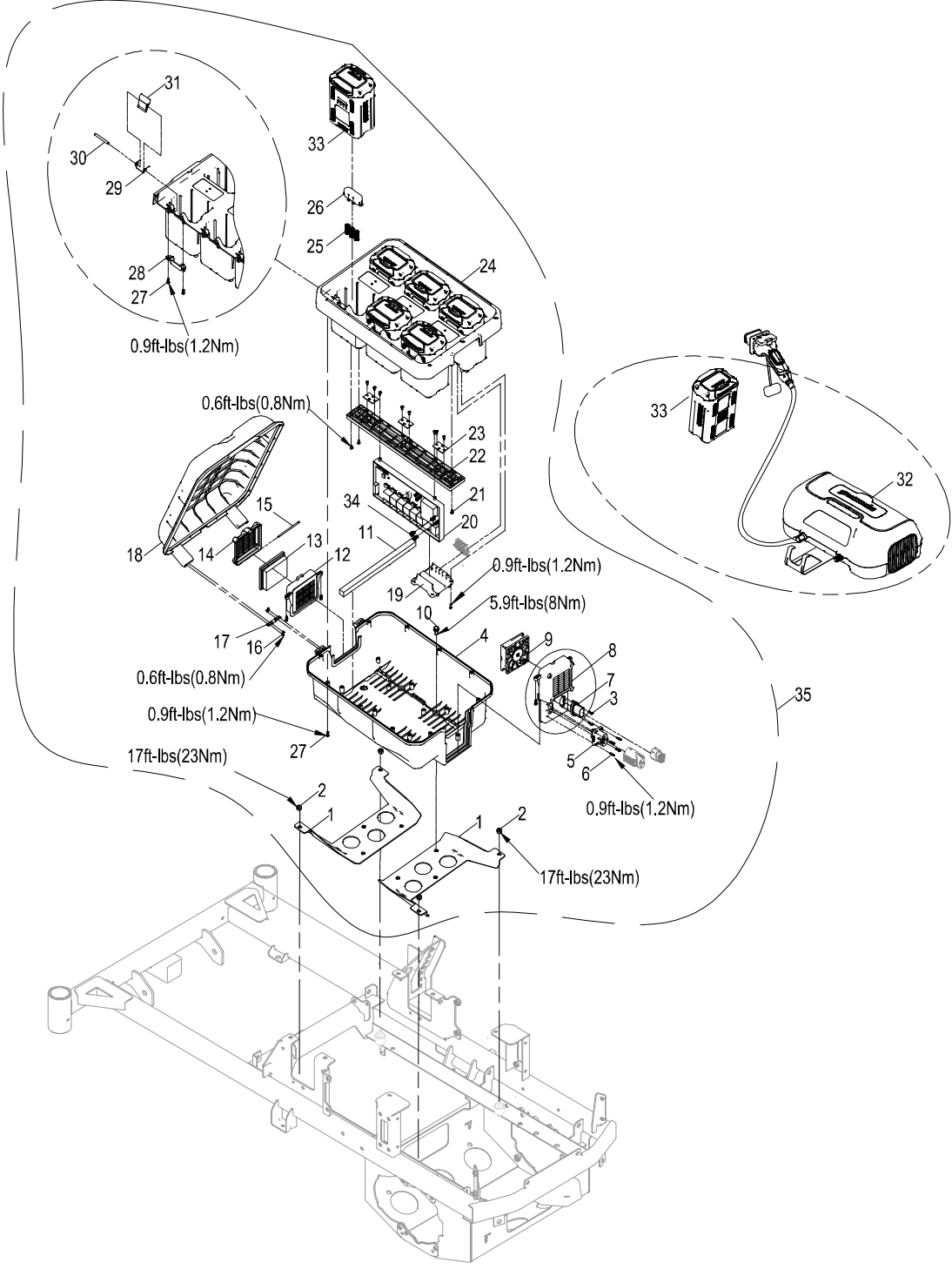
■ Not serviced

# GUARDS AND PROTECTIVE PARTS



ITEM NO.	PART NO.	DESCRIPTION	QTY
28-01	R0201314-00	Nut, Clip-On M6	6
28-02	R0206363-00	Controller Mounting Plate	1
28-03	R0202009-00	Bucket	1
28-04	R0201376-00	Screw, Torx T30 M6×20	16
28-05	R0203165-00	Left Side Plate	1
28-06	R0202524-00	Right Reset Bracket	1
28-07	R0104274-00	Body Rear	1
28-08	R0200534-00	Bolt, Hex with Washers M8×20	8
28-09	R0200549-00	Reed Nut, M8	2
28-10	R0208152-00	Charging Base	1

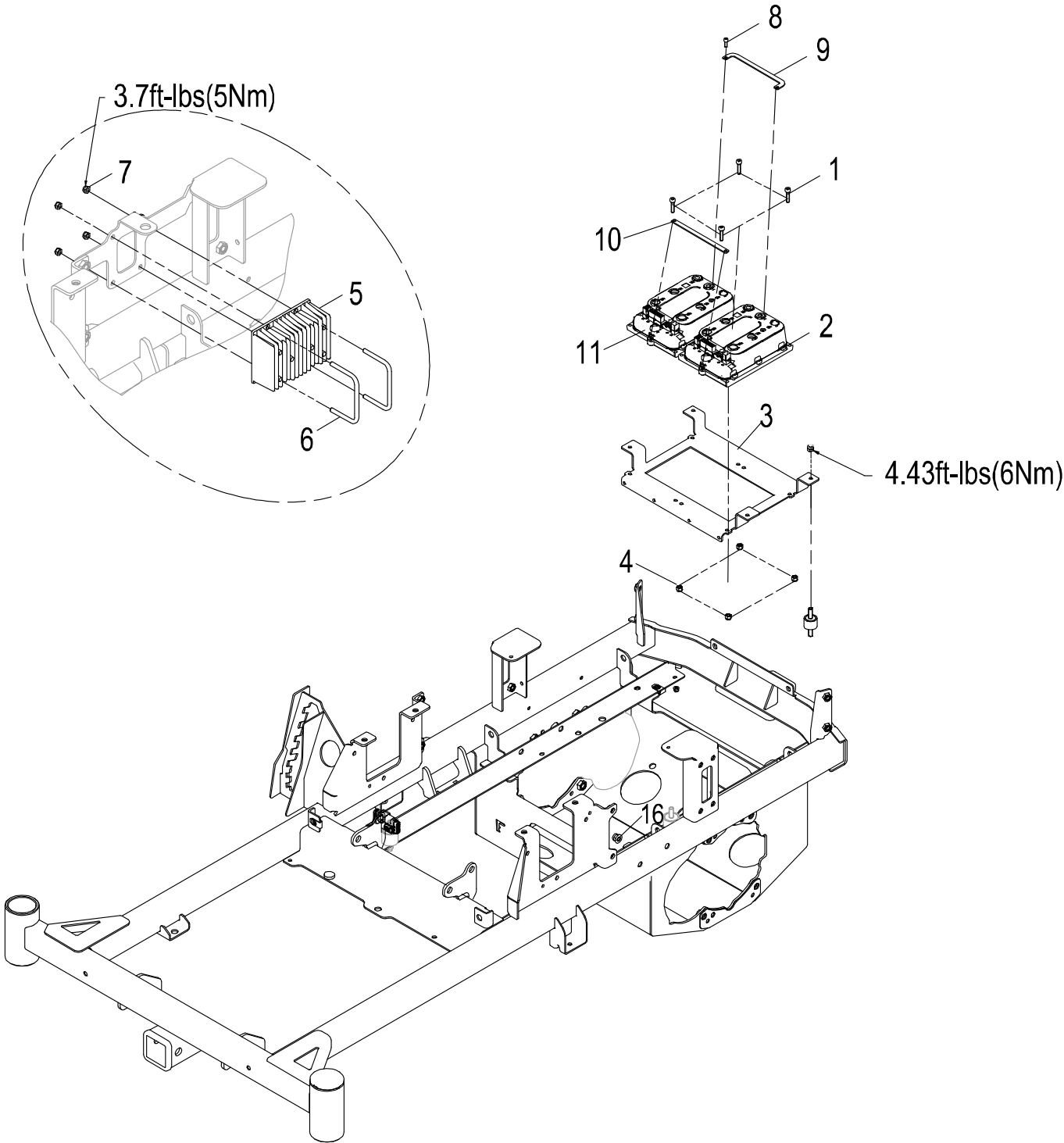
# BATTERY AND CHARGER PARTS



ITEM NO.	PART NO.	DESCRIPTION	QTY
31-01	R0202636-00	Fixed Bracket	2
31-02	R0200496-00	Locking Flange Nut, M8	4
31-03	R0203541-00	Screw, Torx T20 ST4×11	2
31-04	R0202638-00	Bottom Seat	1
31-05	R0205048-00	Battery Compartment Power Cords	1
31-06	R0203425-00	Pan Head Tapping Screws, ST2.9×16	4
31-07	R0205047-00	Battery Compartment Communication Line	1
31-08	R0103039-00	Rear Cover	1
31-09	R0202640-00	Fan	1
31-10	R0200534-00	Bolt, Hex with Washers M8×20	6
31-11	R0203160-00	Foam	2
31-12	R0202641-00	Middle Cover	1
31-13	R0202642-00	Filter Element	1
31-14	R0202643-00	Front Cover	1
31-15	R0202644-00	Rotating Shaft	1
31-16	R0203286-00	Screw, M3×6	8
31-17	R0202646-00	Flap Hinge	2
31-18	R0208555-00	Battery Pack Flap Assembly	1
31-19	R0203171-00	Press Board	3
31-20	R0209707-00	PCBA (Battery Pack)	1
31-21	R0202649-00	Screw, Torx T20 ST4×10	12
31-22	R0202650-00	Base Mounting Plate	1
31-23	R0203237-00	Light Indicator Board	3
31-24	R0203250-00	Battery Compartment (80V/82V)	1
31-25	R0202671-00	Reset Spring	18
31-26	R0203287-00	Spring Base	6
31-27	R0203426-00	Screw, Torx T20 ST4×16	38
31-28	R0202660-00	Release Button Shaft Retaining Plate	6
31-29	R0202672-00	Torsional Spring	6
31-30	R0202657-00	Battery Button Axial	6
31-31	R0203174-00	Battery Release Button	6
31-32		GW Charger ●	-
31-33		GW Battery ●	-
31-34	R0200380-00	Bolt, Hex with Washers M8×16	2
31-35	R0209643-00	Battery Pack Assembly	1

● Accessory

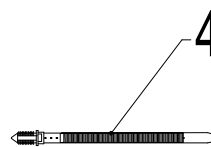
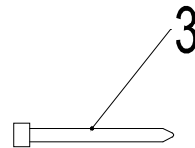
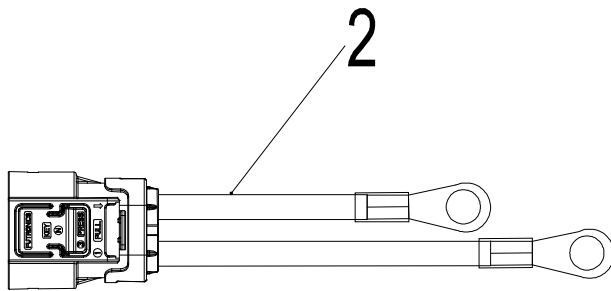
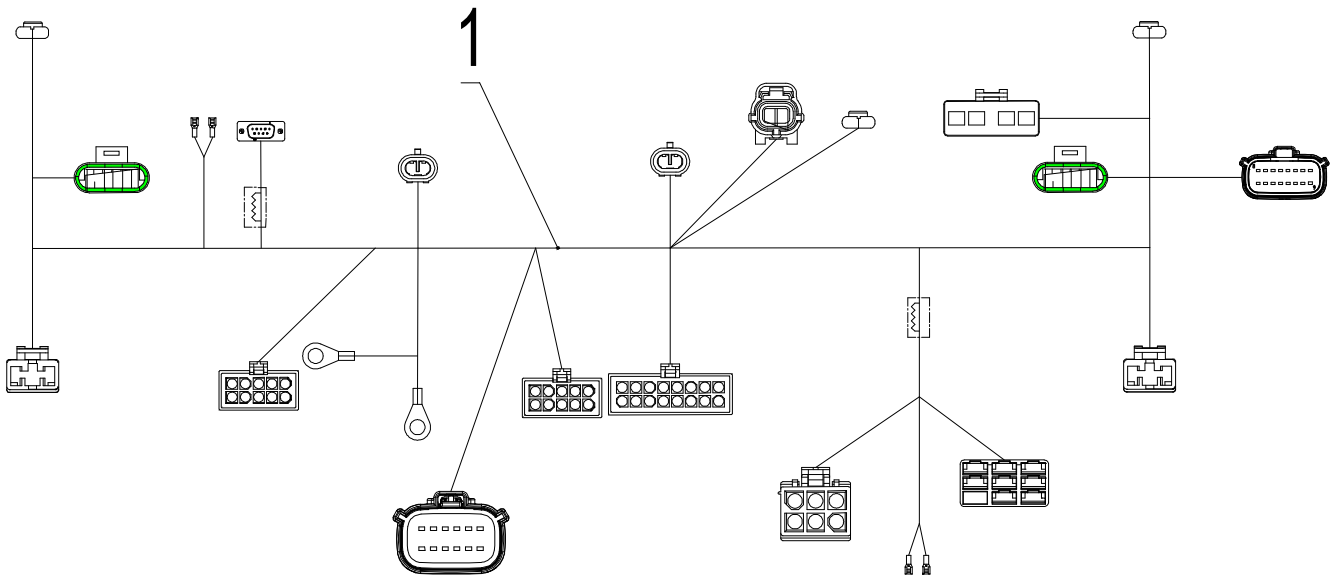
# CONTROLLERS AND BOX PARTS



ITEM NO.	PART NO.	DESCRIPTION	QTY
32-01	R0201415-00	Screw, M6×25	8
32-02	R0208415-00	Blade Controller	1
32-03	R0103159-00	Controller Mounting Plate	1
32-04	R0200518-00	Lock Nut M6	8
32-05	R0202206-00	DC-DC	1
32-06	R0202027-00	Lock Threaded Rod	2
32-07	R0200517-00	Hexagon Nuts, M5	4
32-08	R0201287-00	Screw, M5×14	16
32-09	R0102990-00	Copper Bar	1
32-10	R0102991-00	Copper Bar	1
32-11	R0208414-00	Drive Controller	1

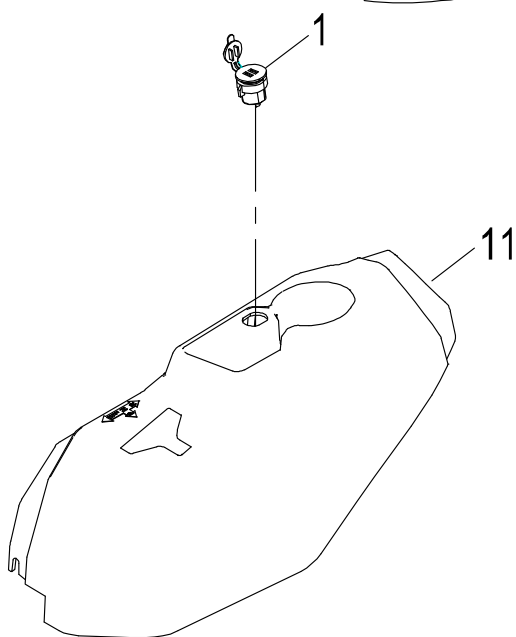
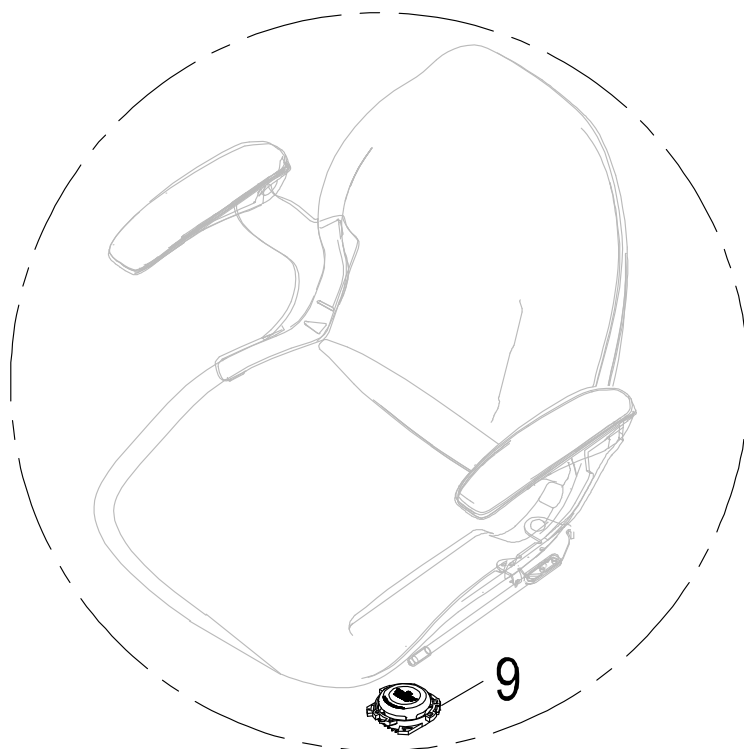
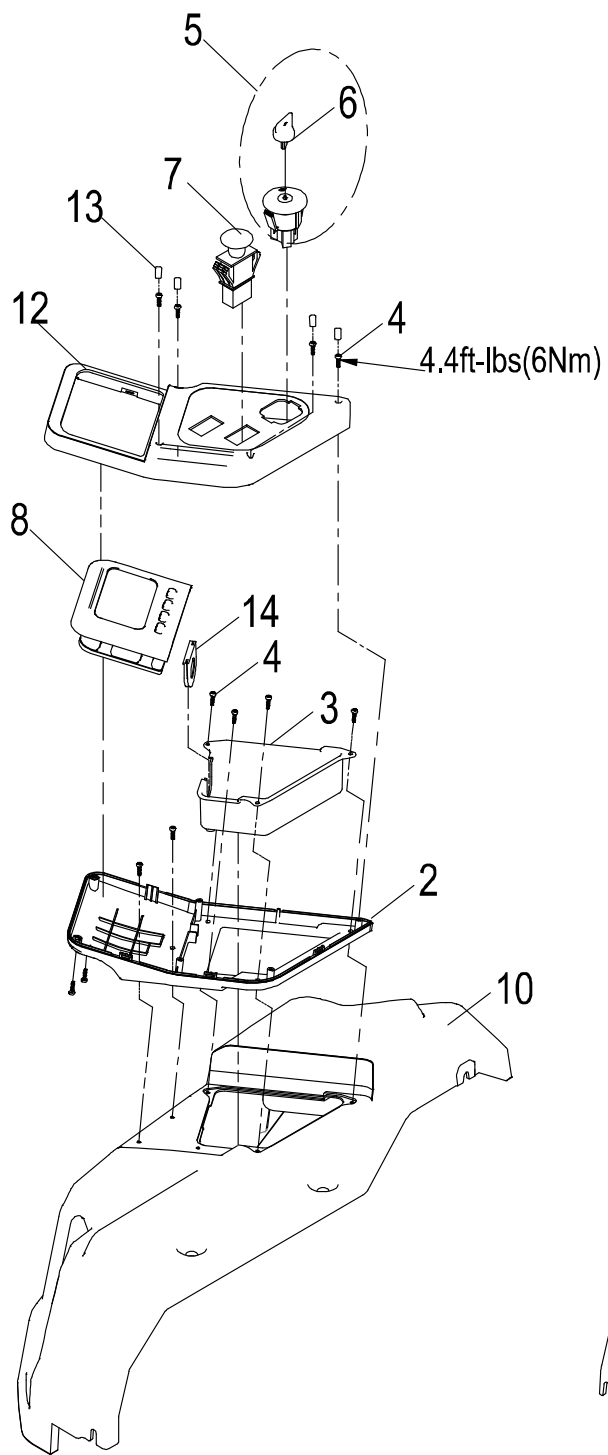


# WIRE HARNESS



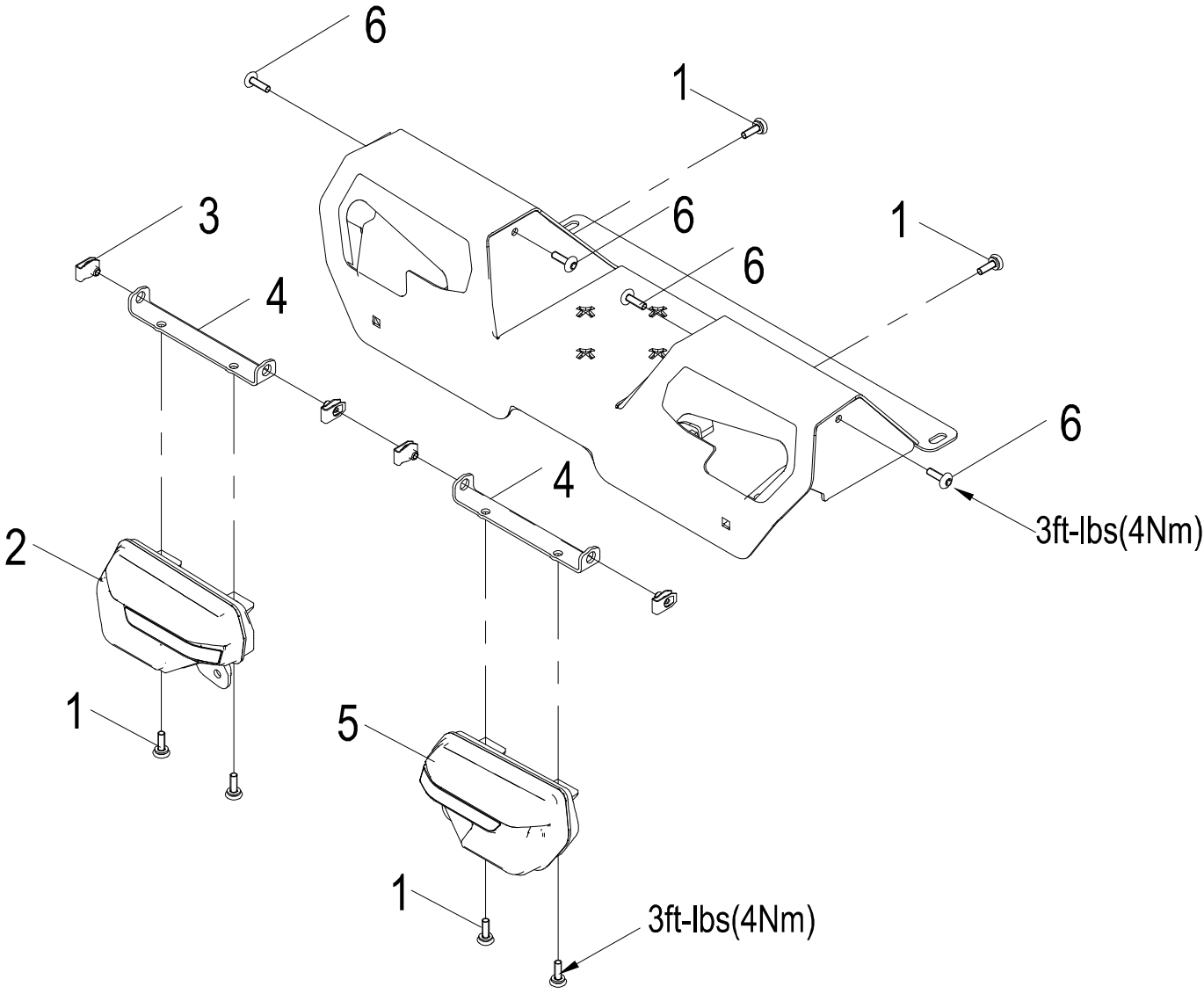
<b>ITEM NO.</b>	<b>PART NO.</b>	<b>DESCRIPTION</b>	<b>QTY</b>
33-01	R0209644-00	Control Harness Assembly for Whole Machine	1
33-02	R0102988-00	Power Wiring Harness for Whole Machine	1
33-03	R0200390-00	Zip Tie	20
33-04	R0202543-00	Zip Tie	30

# SWITCHES & METER PARTS



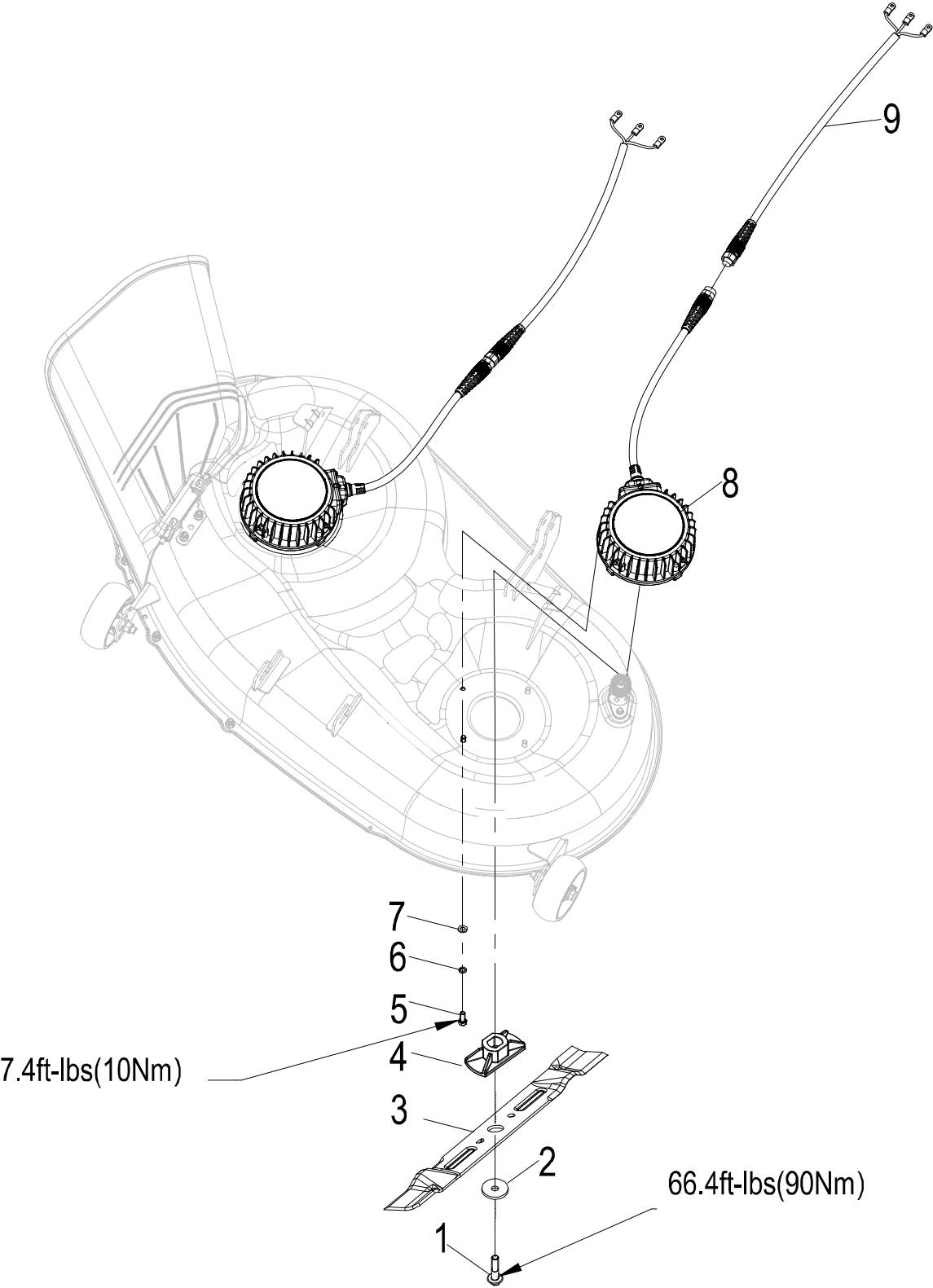
ITEM NO.	PART NO.	DESCRIPTION	QTY
35-01	R0201612-00	USB	1
35-02	R0208528-00	Lower Housing	1
35-03	R0103044-00	Guard	1
35-04	R0203426-00	Screw, Torx T20 ST4×16	12
35-05	R0205050-00	Ignition Assembly	1
35-06	R0201216-00	Key	1
35-07	R0200717-00	PTO Switch	1
35-08	R0209842-00	LCD Dashboard	1
35-09	R0102987-00	Presence Switch, Seat	1
35-10	R0208529-00	Right Cover Piece	1
35-11	R0208530-00	Left Cover Piece	1
35-12	R0208527-00	Upper Housing	1
35-13	R0103202-00	Plug	4
35-14	R0103200-00	Wire Protective Sleeve	1

# LIGHTS PARTS



ITEM NO.	PART NO.	DESCRIPTION	QTY
39-01	R0201279-00	Screw With Washers, Torx T30 M6×20	6
39-02	R0202201-00	Right Front Lamp	1
39-03	R0201314-00	Nut, Clip-On M6	4
39-04	R0202200-00	Adapting Plate	2
39-05	R0202199-00	Left Front Lamp	1
39-06	R0201376-00	Screw, Torx T30 M6×20	4

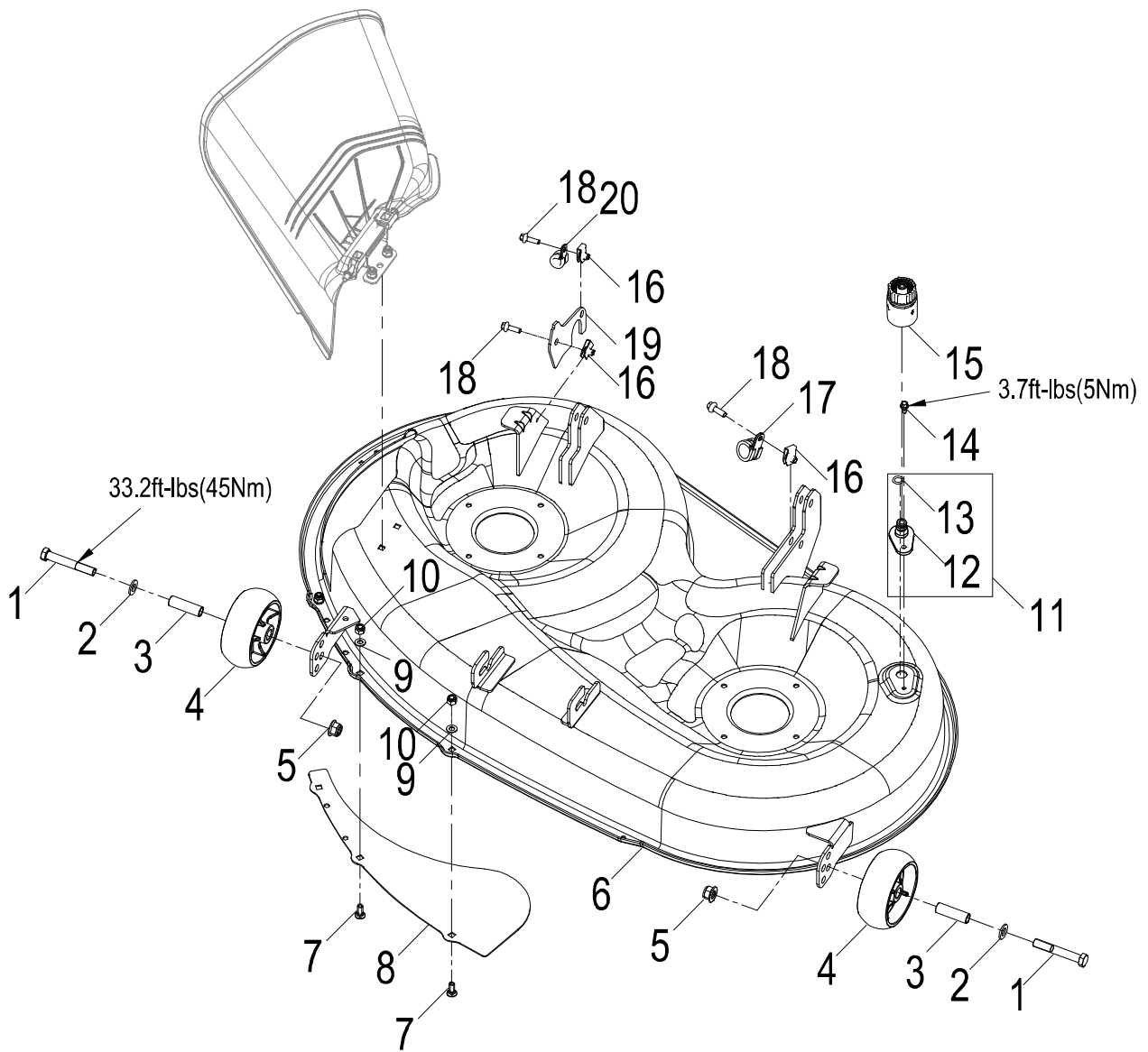
# DECK, MOTORS, BLADES PARTS



ITEM NO.	PART NO.	DESCRIPTION	QTY
41-01	R0202285-00	Hexagon Head Bolts, 7/16-14UNC×50.8	2
41-02	R0202284-00	Blade Gasket	2
41-03	R0203256-00	2-in-1 Multi-Purpose Blade (42"/107cm Deck)	2
41-04	R0202282-00	Blade Collar	2
41-05	R0202281-00	Hexagon Head Bolts, 5/16-18UNC	8
41-06	R0202280-00	Spring Washer	8
41-07	R0200548-00	Plain Washer, Φ8	8
41-08	R0208412-00	Blade Motor	2
41-09	R0102986-00	Wire Harness Assembly	2

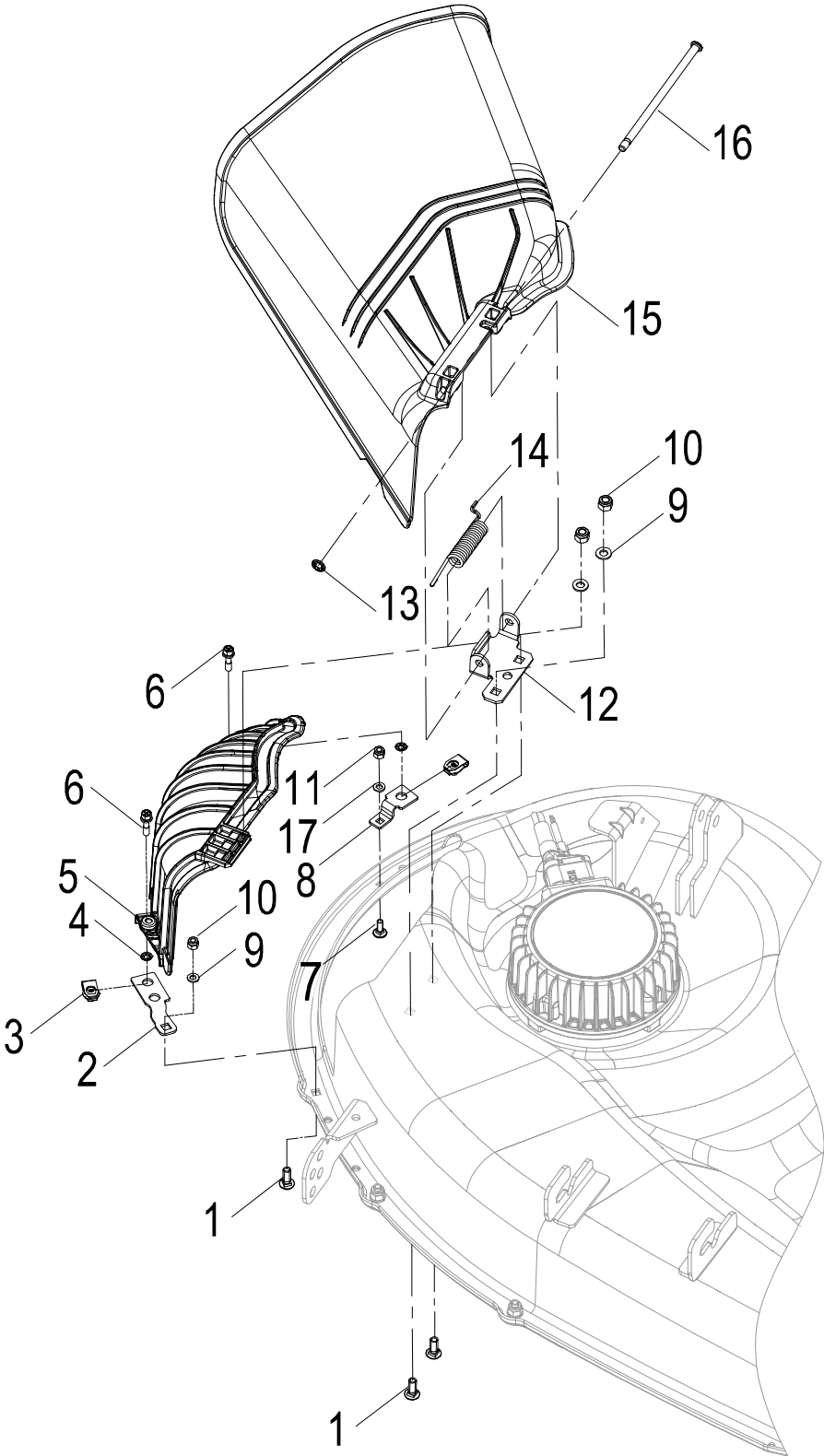


# 42" DECK COMPONENTS



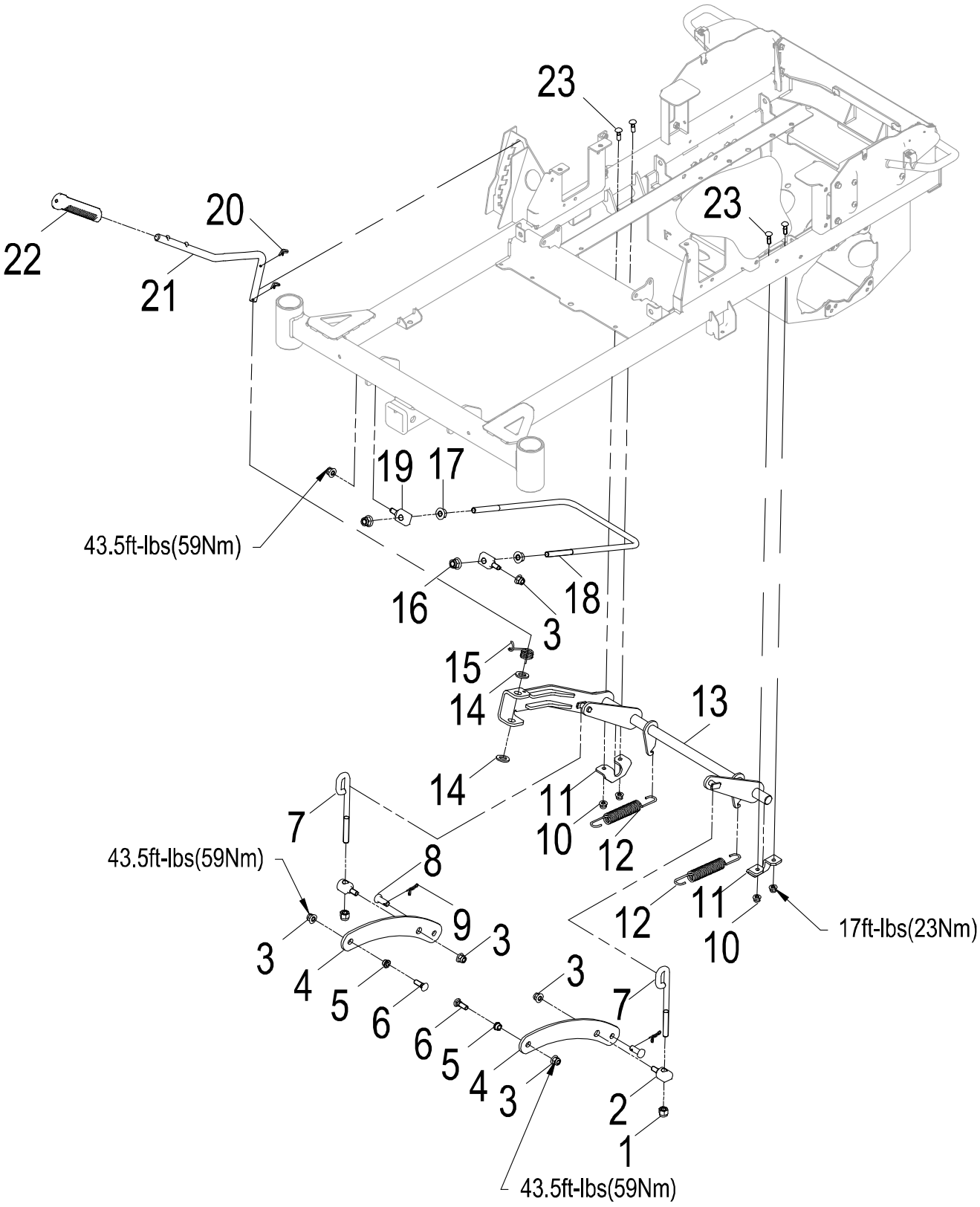
ITEM NO.	PART NO.	DESCRIPTION	QTY
42-01	R0200401-00	Hexagon Head Bolts, M12×80	2
42-02	R0200543-00	Plain Washer, Φ12	2
42-03	R0202286-00	Roller Shaft	2
42-04	R0202287-00	Roller Wheel	2
42-05	R0200523-00	Locking Nut, M8	2
42-06	R0202288-00	42" Deck Assembly	1
42-07	R0200526-00	Cup Head Bolts-Grade B, M8×20	2
42-08	R0202289-00	Air Guide Housing	1
42-09	R0200548-00	Plain Washers, Φ8	2
42-10	R0200569-00	Lock Nut, M8	2
42-11	R0202290-00	Water Inlet and Outlet Connector Assembly (with O-Ring)	1
42-12	R0202291-00	Water Inlet and Outlet Connector	1
42-13	R0203283-00	O-Ring	1
42-14	R0202294-00	Phillips, ST6.3×16	1
42-15	R0203637-00	Adaptor	1
42-16	R0201314-00	Nut, Clip-On M6	3
42-17	R0103203-00	Wire Clamp	1
42-18	R0200507-00	Bolts, Flange M6×20	3
42-19	R0203340-00	Cord Clamp	1
42-20	R0205449-00	Wire Clamp	1

# DISCHARGE CHUTE ASSEMBLY



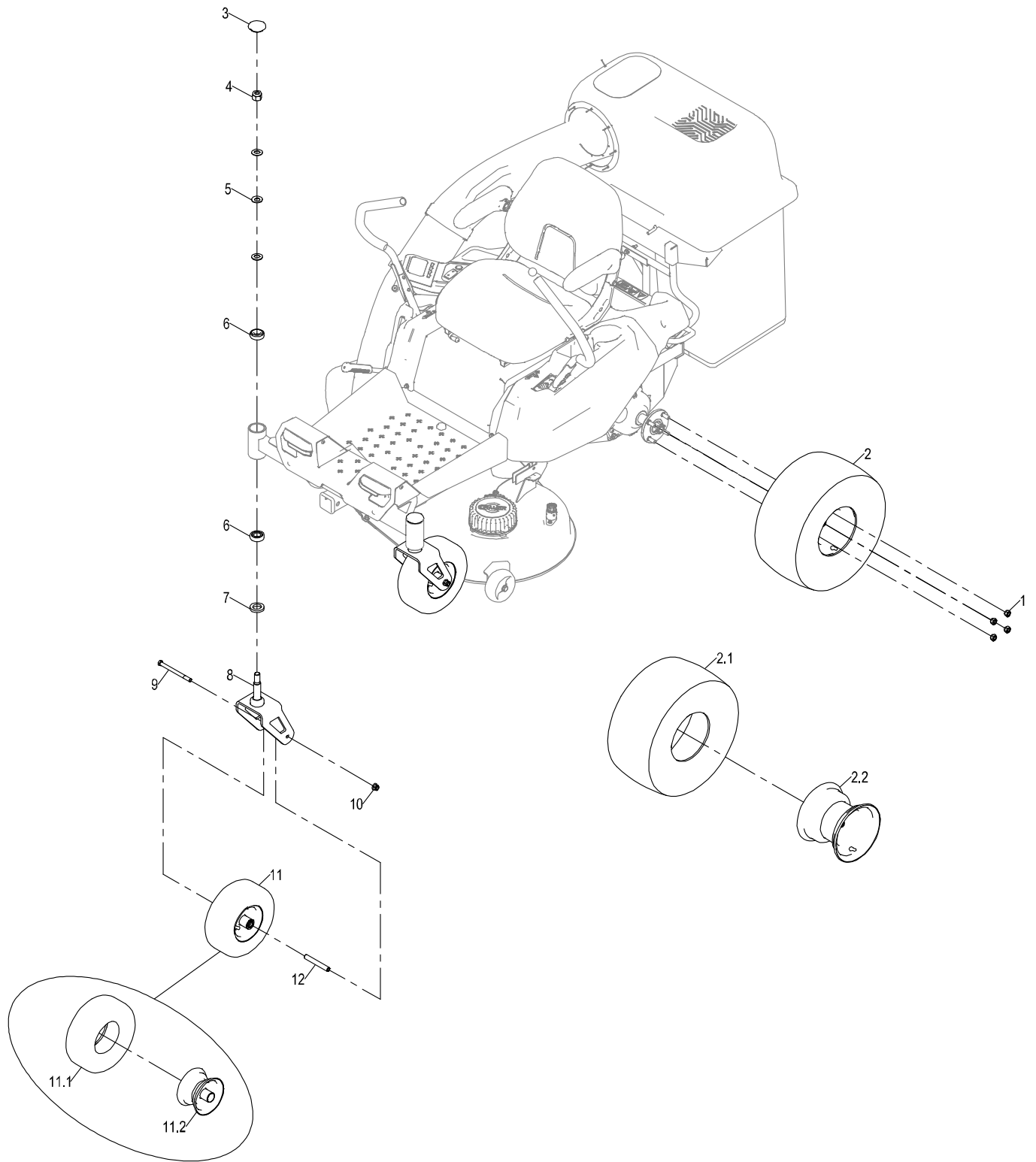
ITEM NO.	PART NO.	DESCRIPTION	QTY
43-01	R0200526-00	Cup Head Bolts-Grade B, M8×20	3
43-02	R0202296-00	Fixed Seat	1
43-03	R0201314-00	Nut, Clip-On M6	3
43-04	R0202297-00	Bearing Clip	2
43-05	R0202298-00	Protective Cover	1
43-06	R0202299-00	Customized Bolt	2
43-07	R0202300-00	Carriage Bolt, M6×16	1
43-08	R0202301-00	Fixed Seat	1
43-09	R0200548-00	Plain Washer, Φ8	3
43-10	R0200569-00	Lock Nut, M8	3
43-11	R0200518-00	Locking Nut, M6	1
43-12	R0202302-00	Straw Support Plate	1
43-13	R0202303-00	Bearing Clip	1
43-14	R0202304-00	Torsional Spring	1
43-15	R0202305-00	Discharge Chute Cover	1
43-16	R0202306-00	Fixed Pin	1
43-17	R0200547-00	Plain Washers, Φ6	1

# DECKLIFT ASSEMBLY



ITEM NO.	PART NO.	DESCRIPTION	QTY
45-01	R0200515-00	Locking Nut, M12	2
45-02	R0202233-00	Trunnion	2
45-03	R0200521-00	Locking Flange Nut, M10	6
45-04	R0202232-00	Side Plate	2
45-05	R0201469-00	Sleeve	2
45-06	R0202231-00	Bolt, M10	2
45-07	R0202230-00	Height Adjustment Rod	2
45-08	R0202229-00	Pin Shaft	2
45-09	R0201398-00	Pin	2
45-10	R0200496-00	Locking Flange Nut, M8	4
45-11	R0201455-00	Fixed Plate	2
45-12	R0203167-00	Extension Spring	2
45-13	R0202227-00	Rear Height Adjustment Weldment	1
45-14	R0201475-00	Plain Washer	2
45-15	R0203168-00	Torsional Spring	1
45-16	R0200369-00	Locking Flange Nut, M12	2
45-17	R0200559-00	Flange Nut, M12	2
45-18	R0201470-00	Forward Deck Hanger	1
45-19	R0202225-00	Lock Pin	2
45-20	R0201478-00	R pin	2
45-21	R0202224-00	Height Adjustment Lever	1
45-22	R0202223-00	Height Adjustment Handle Sleeve	1
45-23	R0200527-00	Carriage Bolt, M8×25	4

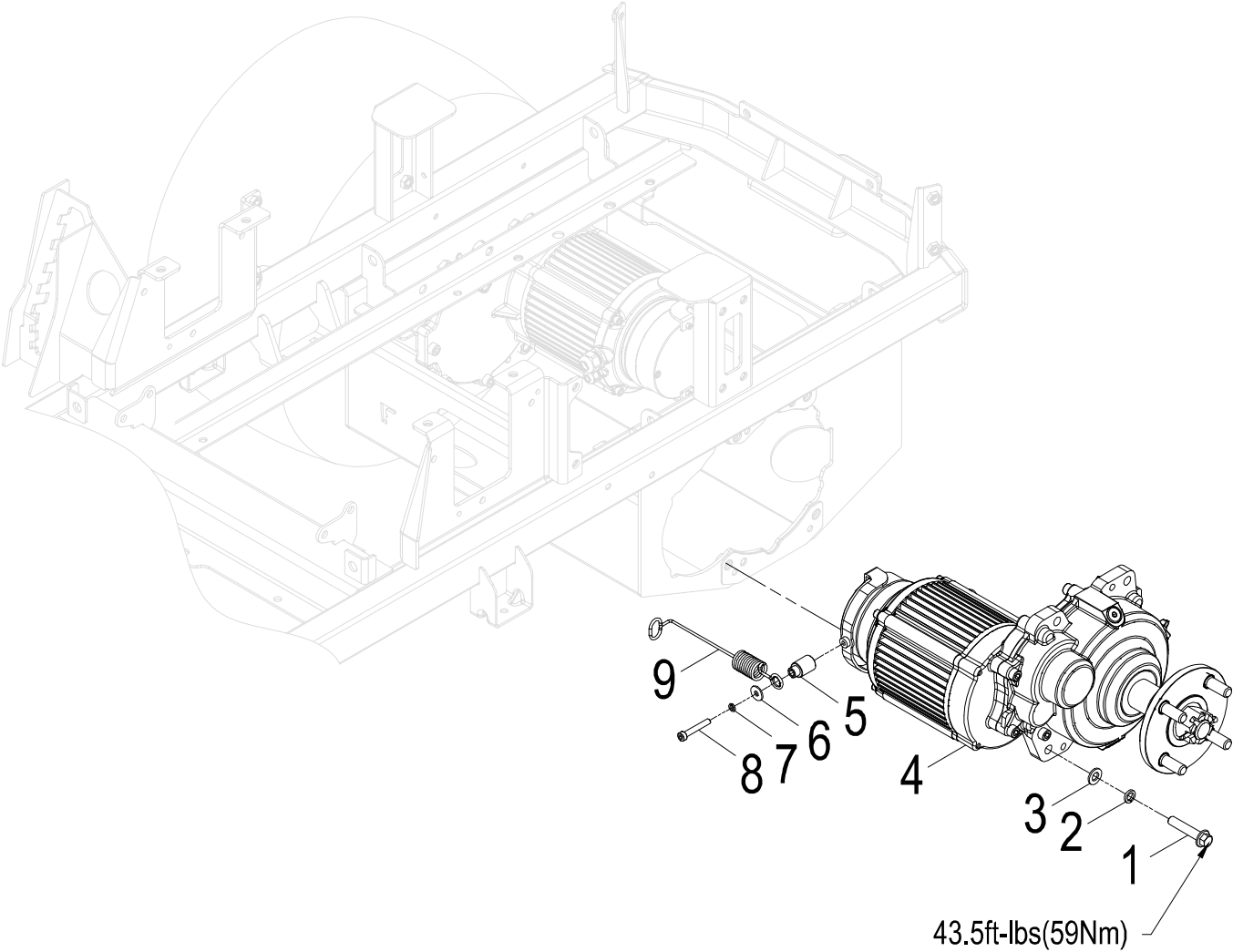
# WHEELS ASSEMBLY



ITEM NO.	PART NO.	DESCRIPTION	QTY
51-01	R0200368-00	Nut, 1/2-20UNF	2
51-02	R0201518-00	Rear Wheel Assy, 20×10-8	8
2.1	R0208536-00	Tire, Rear Wheel, 20×10-8	8
2.2	R0208535-00	Rim, Rear Wheel, 20×10-8	2
51-03	R0202222-00	Dust Cap	2
51-04	R0200372-00	Locking Nut, M20	2
51-05	R0200373-00	Belville Washer, Φ20	2
51-06	R0201463-00	Front Caster Bearing	2
51-07	R0201464-00	Oil Seal	6
51-08	R0202198-00	Front Fork Weldment	4
51-09	R0201465-00	Hexagon Head Bolts, M12×150	2
51-10	R0200369-00	Locking Flange Nut, M12	2
51-11	R0201467-00	Front Wheel Assy, 11×4	2
11.1	R0205866-00	Tire, Front Wheel, 11×4-6	2
11.2	R0208535-00	Rim, Front Wheel, 11×4-5	2
51-12	R0201468-00	Front Wheel Bushing	2

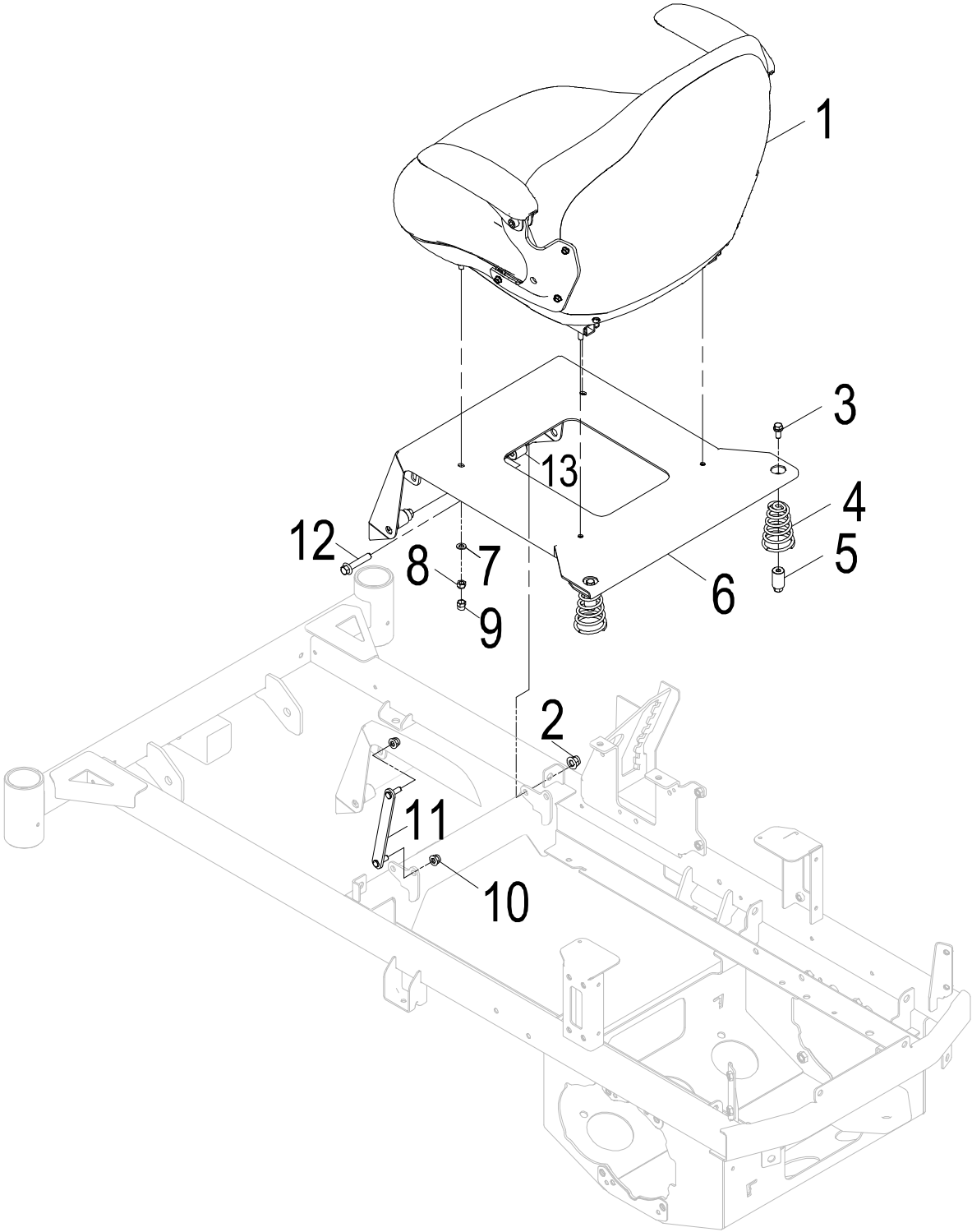


# DRIVE MOTOR AND TRANSMISSION PARTS



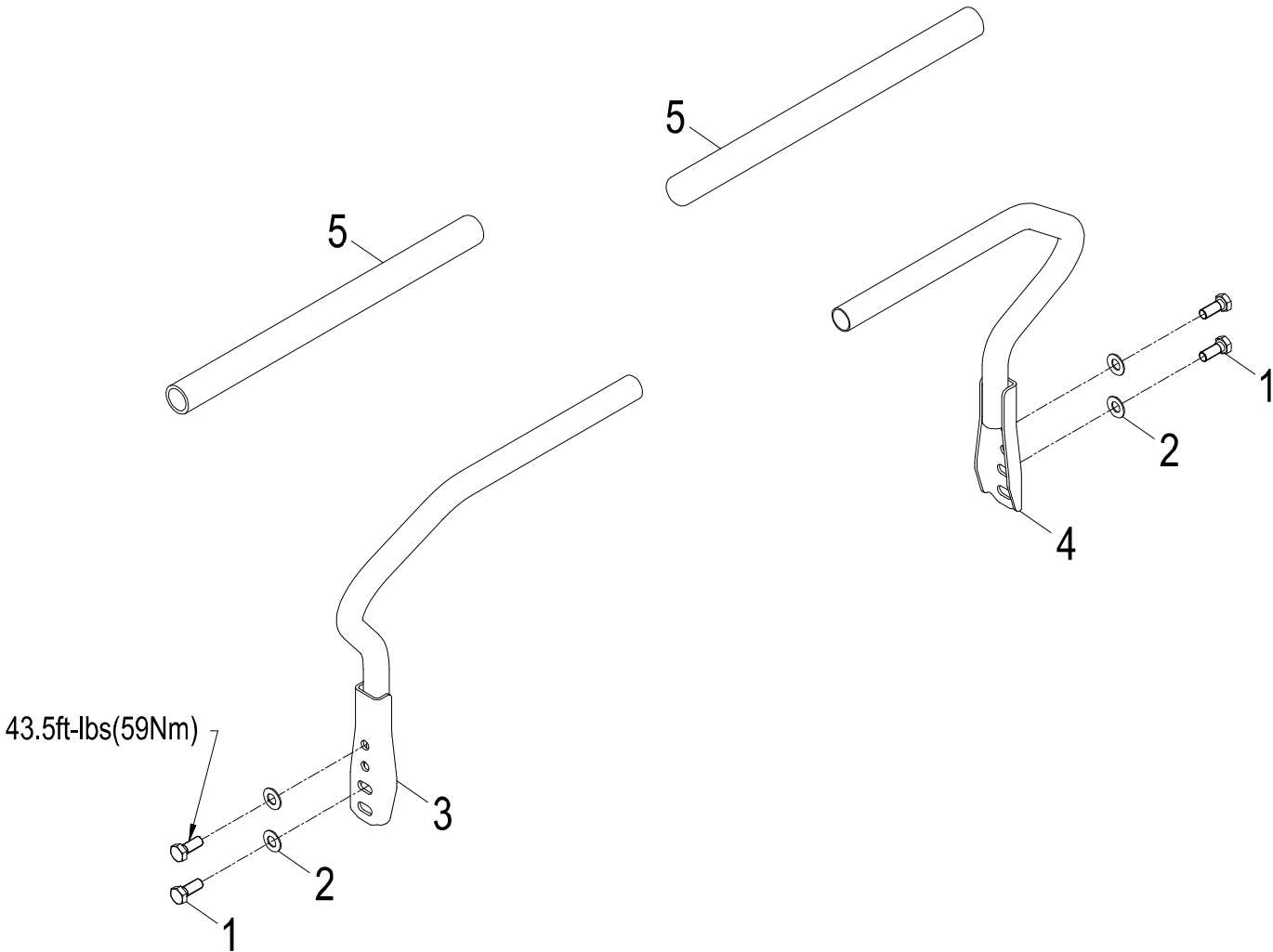
ITEM NO.	PART NO.	DESCRIPTION	QTY
55-01	R0200765-00	Bolt, Flange M10×50	8
55-02	R0200499-00	Single Coil Spring Lock Washer, Normal Type, Φ10	8
55-03	R0200502-00	Plain Washer, Φ10	12
55-04	R0102984-00	Motor Gearbox Assembly	2
55-05	R0201520-00	Spacer	2
55-06	R0201521-00	Plain Washer, Φ6	2
55-07	R0201410-00	Spring Washer, Φ6	2
55-08	R0201522-00	Hex Socket Head Cap Screw, M6×40	2
55-09	R0201523-00	Spring	2

# SEAT



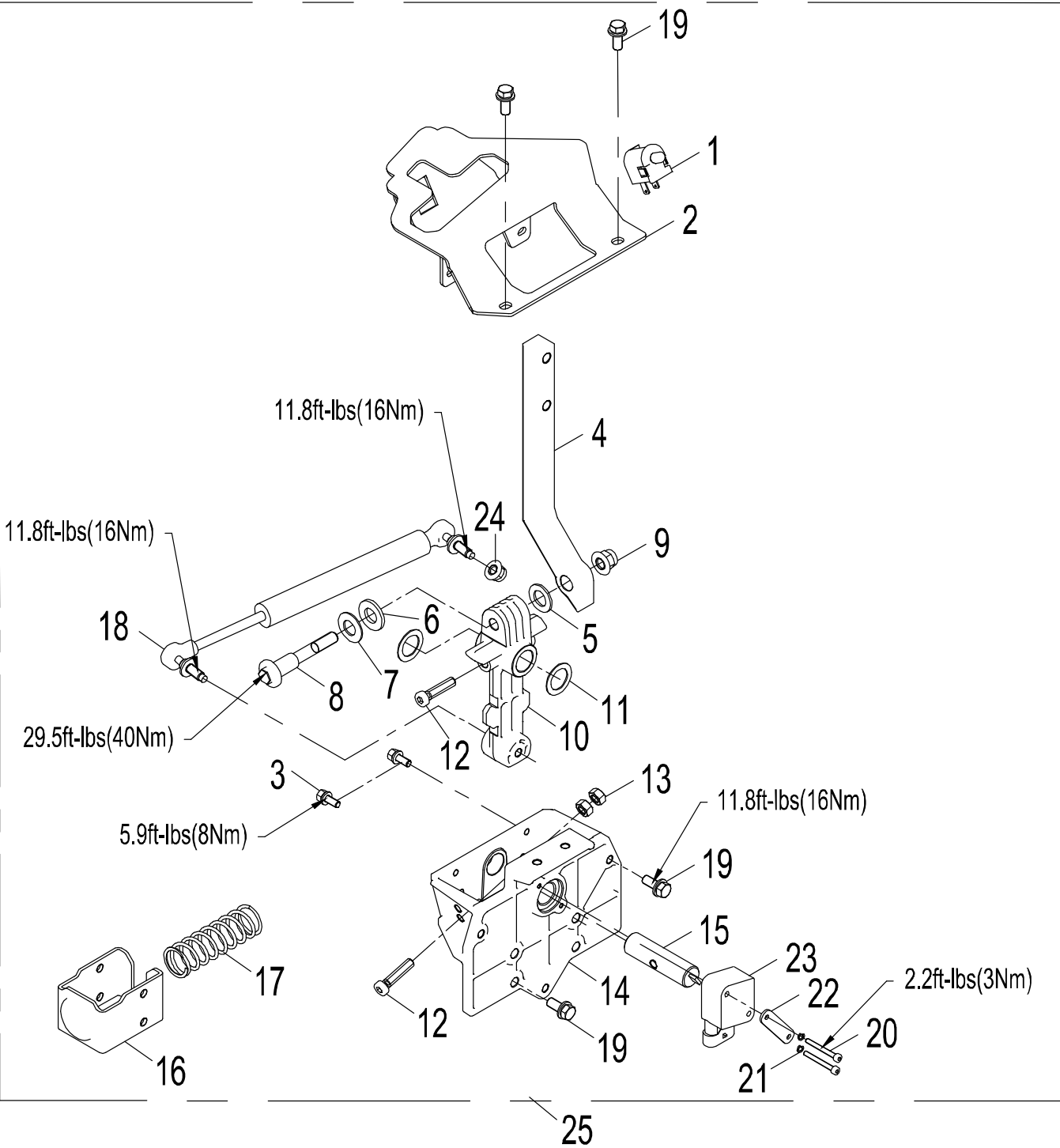
ITEM NO.	PART NO.	DESCRIPTION	QTY
61-01	R0208522-00	Seat	1
61-02	R0200521-00	Locking Flange Nut, M10	2
61-03	R0200534-00	Bolt, Hex with Washers, M8×20	2
61-04	R0203275-00	Spring	2
61-05	R0202039-00	Limited Rod	2
61-06	R0208524-00	Fixed Plate Assembly	1
61-07	R0200548-00	Plain Washers, Φ8	4
61-08	R0200571-00	Nut, 5/16-18	4
61-09	R0202186-00	Protective Sleeve	4
61-10	R0200496-00	Locking Flange Nut, M8	2
61-11	R0203290-00	Limiting Displacement Bar	1
61-12	R0200765-00	Bolt, Flange M10×50	2
61-13	R0208523-00	Shaft Sleeve	2

# CONTROL ARM ASSEMBLY



<b>ITEM NO.</b>	<b>PART NO.</b>	<b>DESCRIPTION</b>	<b>QTY</b>
63-01	R0200509-00	Hexagon Head Bolts, M10×25	4
63-02	R0200378-00	Disc Spring	4
63-03	R0203267-00	Left Control Handle Weldment	1
63-04	R0203268-00	Right Control Handle Weldment	1
63-05	R0103149-00	Control Rod Sleeve	2

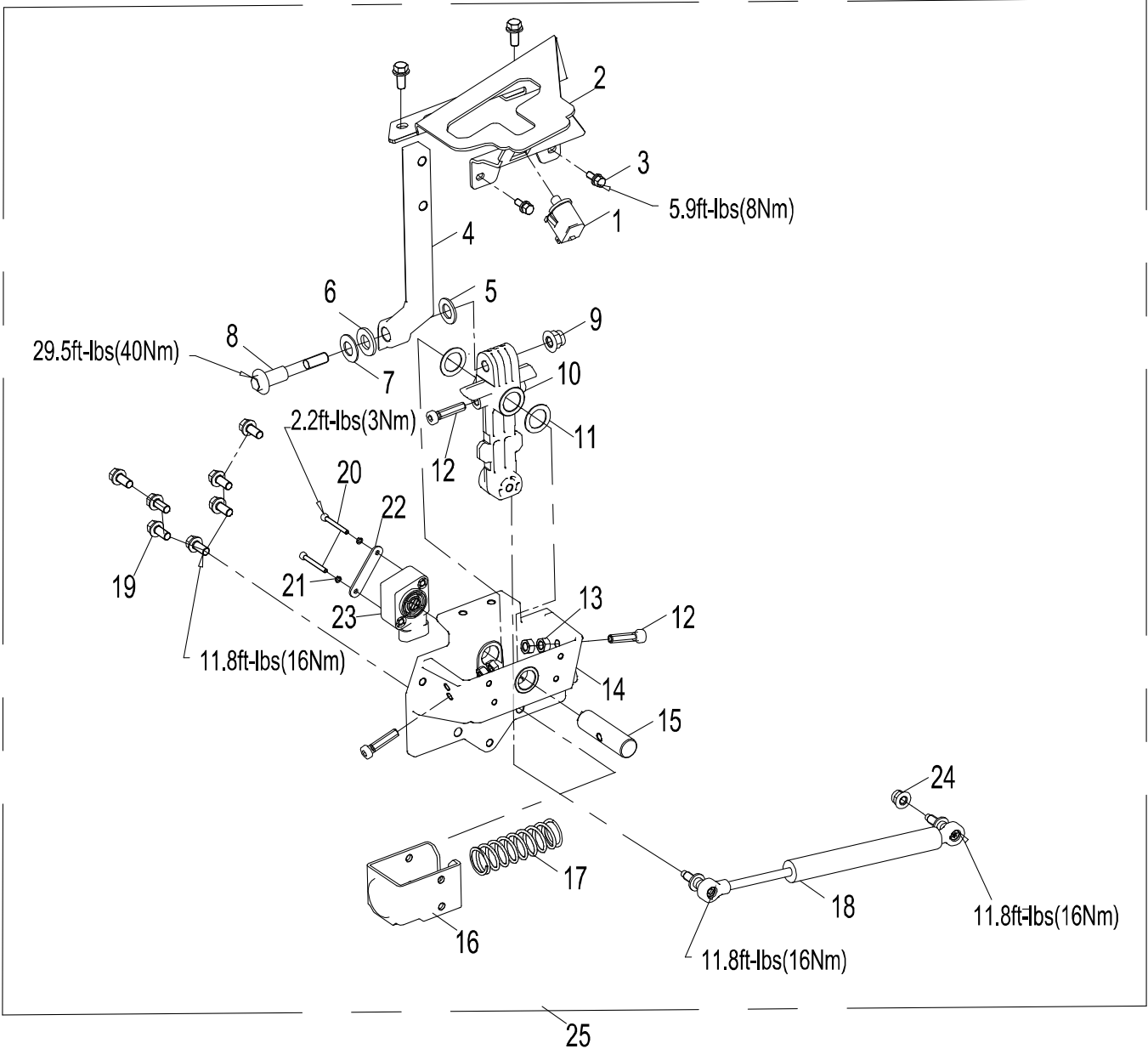
# CONTROL ARM RH ASSEMBLY



ITEM NO.	PART NO.	DESCRIPTION	QTY
64-01	R0200366-00	Switch (Brake, Seat)	1
64-02	R0201543-00	Right Control Cover Bracket	1
64-03	R0200532-00	Bolt, Hex with Washers M6×16	2
64-04	R0201534-00	Operating Handle	1
64-05	R0201356-00	Nylon Pad	1
64-06	R0201358-00	Washer	1
64-07	R0201362-00	Disc Spring	1
64-08	R0201363-00	Customized Bolt	1
64-09	R0200521-00	Locking Flange Nut, M10	1
64-10	R0201364-00	Swing Arm	1
64-11	R0201353-00	Nylon Washer	2
64-12	R0201350-00	Socket Head Cap Screw, M8×35	3
64-13	R0200519-00	Nut, M8	4
64-14	R0201535-00	Fixed Seat	1
64-15	R0201536-00	Rotating Shaft	1
64-16	R0202532-00	Spring Seat Assembly	1
64-17	R0201343-00	Compression Spring	2
64-18	R0103148-00	Damper	1
64-19	R0200534-00	Bolt, Hex with Washers M8×20	7
64-20	R0201539-00	Socket Head Cap Screw, M4×35	2
64-21	R0200536-00	Spring Washer, Φ4	2
64-22	R0201541-00	Subplate	1
64-23	R0201542-00	Accelerator	1
64-24	R0200496-00	Locking Flange Nut, M8	1
64-25	R0209575-00	Right Operation Assembly	1

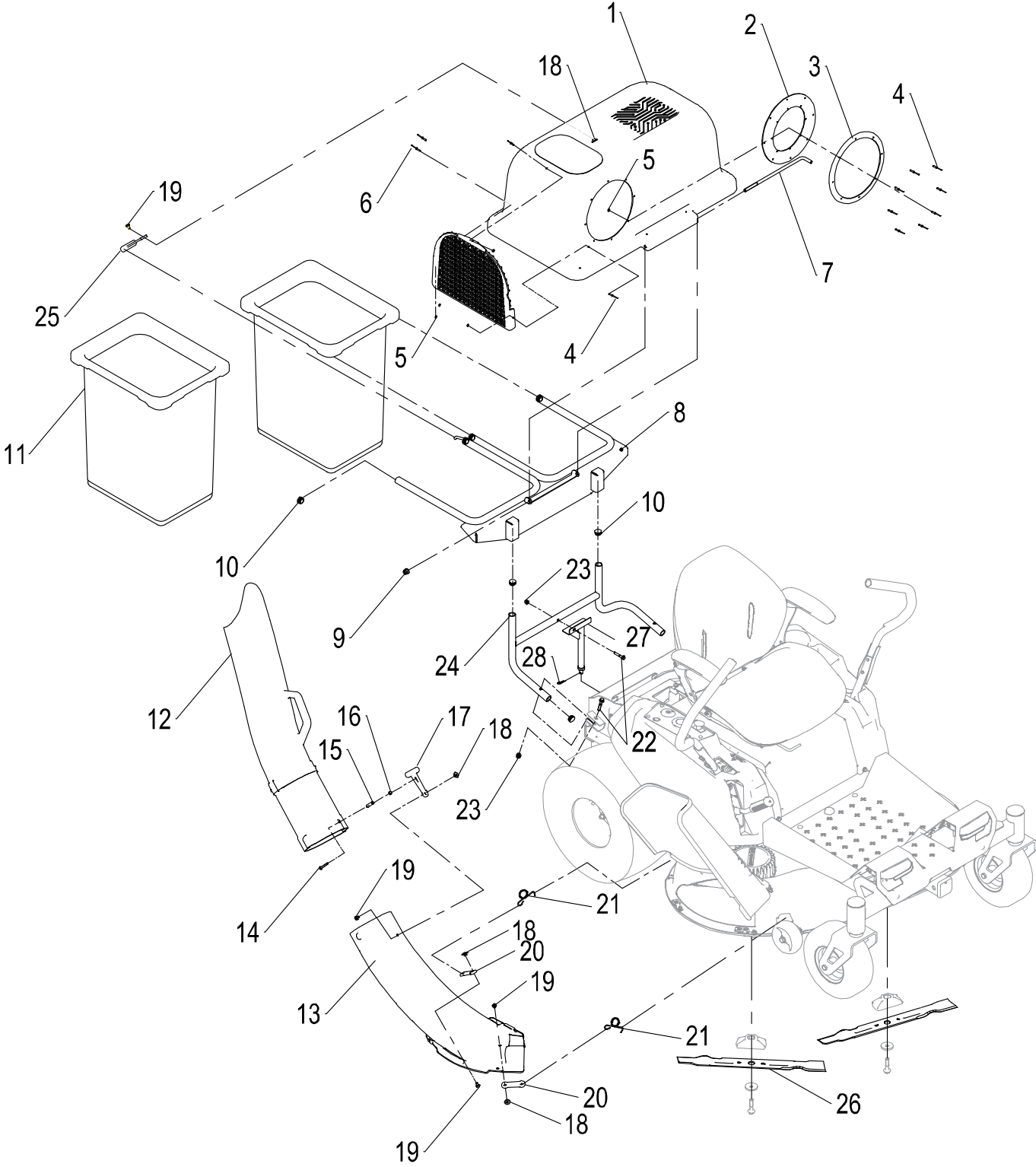


# CONTROL ARM LH ASSEMBLY



ITEM NO.	PART NO.	DESCRIPTION	QTY
65-01	R0200366-00	Switch (Brake, Seat)	1
65-02	R0201533-00	Left Bracket	1
65-03	R0200532-00	Bolt, Hex with Washers M6×16	2
65-04	R0201534-00	Operating Handle	1
65-05	R0201356-00	Nylon Pad	1
65-06	R0201358-00	Washer	1
65-07	R0201362-00	Disc Spring	1
65-08	R0201363-00	Customized Bolt	1
65-09	R0200521-00	Locking Flange Nut, M10	1
65-10	R0201364-00	Swing arm	1
65-11	R0201353-00	Nylon Washer	2
65-12	R0201350-00	Socket Head Cap Screw, M8×35	3
65-13	R0200519-00	Nut, M8	4
65-14	R0201535-00	Fixed Seat	1
65-15	R0201536-00	Rotating Shaft	1
65-16	R0202532-00	Spring Seat Assembly	1
65-17	R0201343-00	Compression Spring	1
65-18	R0103148-00	Damper	1
65-19	R0200534-00	Bolt, Hex with Washers M8×20	7
65-20	R0201539-00	Socket Head Cap Screw, M4×35	2
65-21	R0200536-00	Spring Washer, Φ4	2
65-22	R0201541-00	Subplate	1
65-23	R0201542-00	Accelerator	1
65-24	R0200496-00	Locking Flange Nut, M8	1
65-25	R0209576-00	Left Operation Assembly	1

# GRASS BAGGER



ITEM NO.	PART NO.	DESCRIPTION	QTY
91-01	R0208553-00	Grass Bagger Frame Upper Cover	1
91-02	R0203364-00	Rubber Ring	1
91-03	R0208554-00	Retaining Plate	1
91-04	R0203366-00	Rivets, $\Phi 4 \times 16$	12
91-05	R0203367-00	Flat Washer $\Phi 4$	12
91-06	R0203368-00	Net Plate	1
91-07	R0201308-00	Connecting Rod	1
91-08	R0203369-00	Grass Bag Bracket	1
91-09	R0200521-00	Locking Flange Nut, M10	1
91-10	R0201530-00	Pipe Plug	8
91-11	R0203370-00	Grass Bag Assembly	2
91-12	R0203371-00	Upper Pipe Assembly	1
91-13	R0203372-00	Upper Pipe	1
91-14	R0203373-00	Hex Screw, M6 $\times$ 40	1
91-15	R0203374-00	Round Pipe	1
91-16	RA32206688	Acorn Nuts, M6	1
91-17	R0203375-00	Rubber Sheet	1
91-18	R0203376-00	Tight Nuts	4
91-19	R0202022-00	Screw with Washers, Torx T30 M6 $\times$ 12	4
91-20	R0203377-00	Rubber Sheet	2
91-21	R0203380-00	Torsion Spring	2
91-22	RA32204688AB	Hex Flange Bolts (10pcs)	3
91-23	R0200496-00	Locking Flange Nut, M8	3
91-24	R0203378-00	Grass Bag Bracket	1
91-25	R0203379-00	Bagger Cover Safety Lock	1
91-26	R0203279-00	Bagger Blade	2
91-27	R0209577-00	Support Rod Weldment	1
91-28	R0201478-00	R-pin	1

**greenworks<sup>®</sup>**